

Model : LX-300+
 Board : C294MAIN BOARD
 Rev. : B
 Sheet : 1 of 1

1

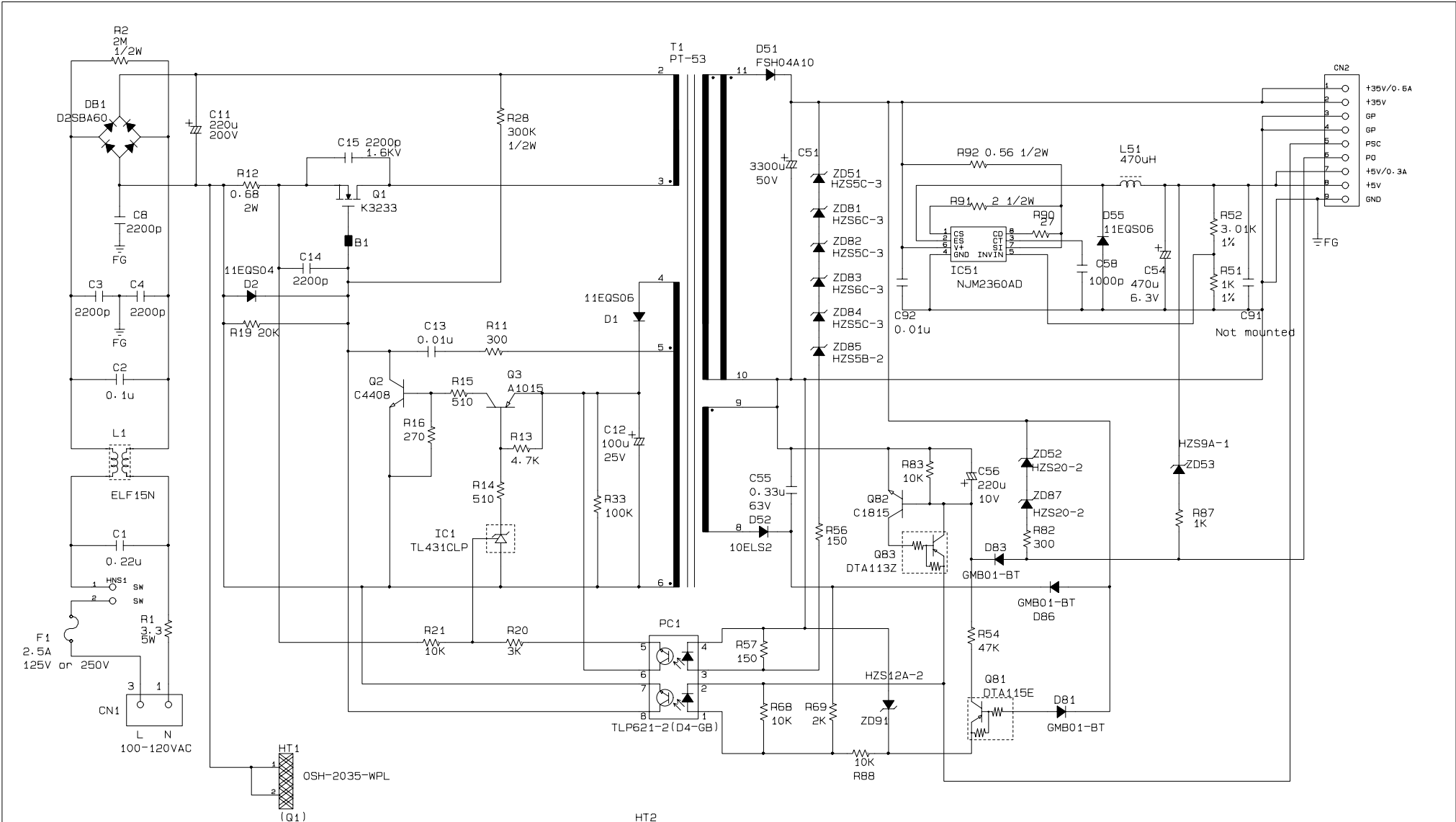
2

3

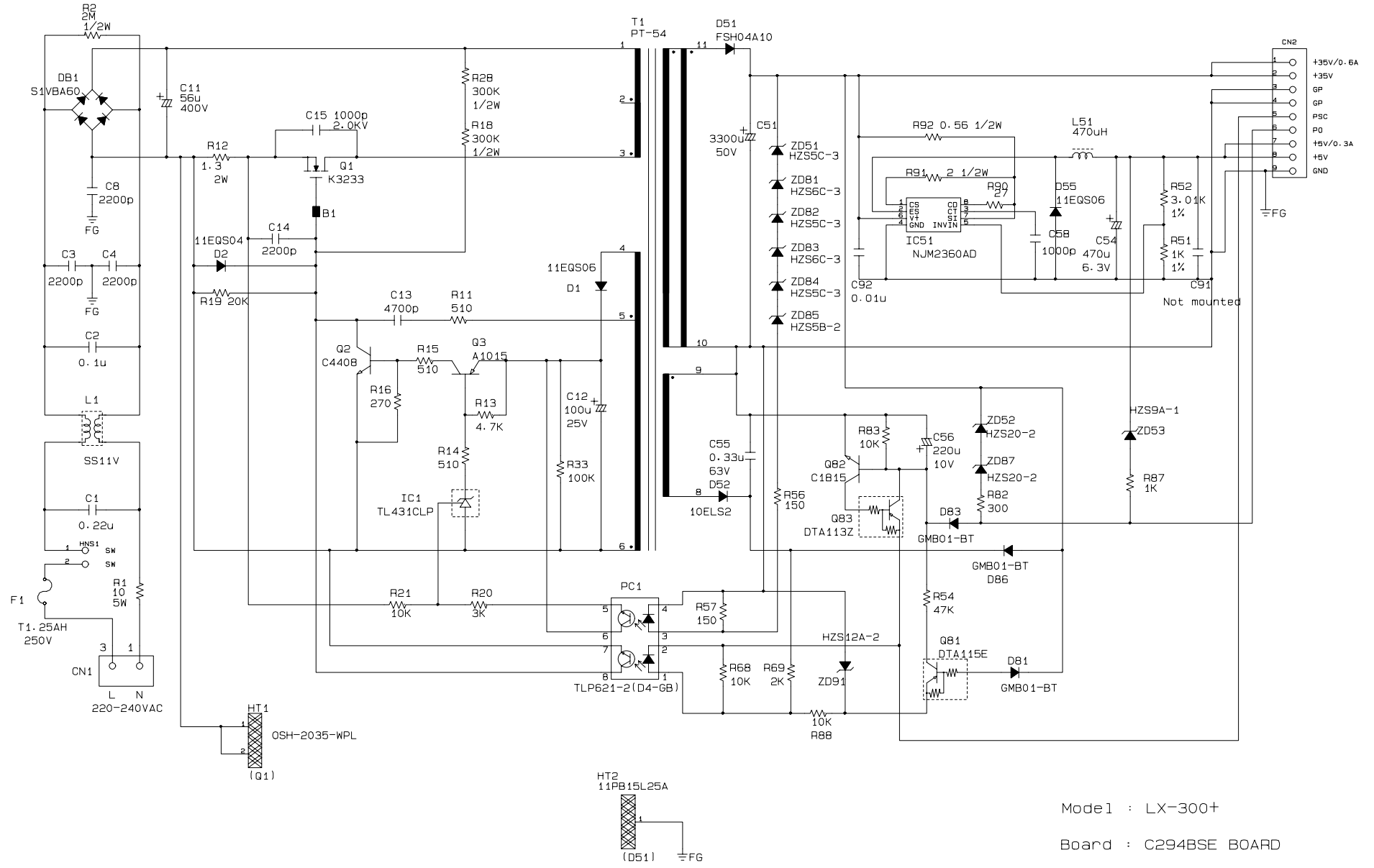
4

5

6



Model : LX-300+
 Board : C294BSB BOARD
 Rev. : A
 Sheet : 1 of 1



Mode1 : LX-300+
 Board : C294BSE BOARD
 Rev. : A
 Sheet : 1 of 1